

SCC 1000™

Static Shielding Bag ~ Metal-In

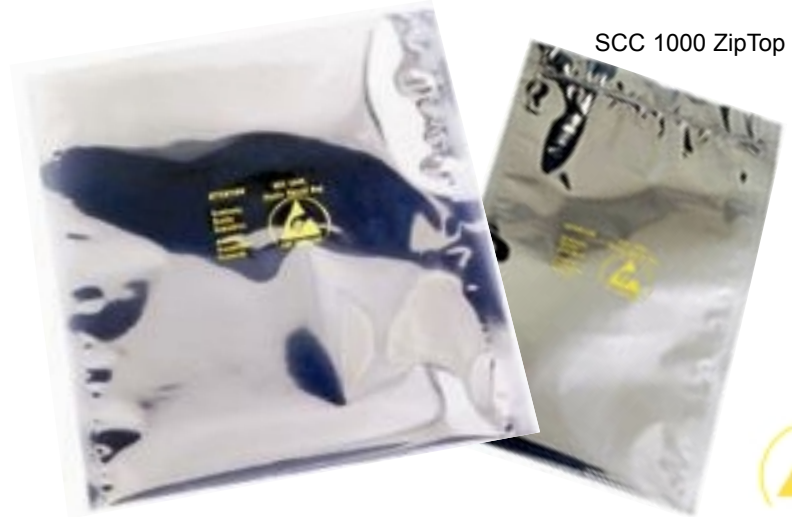
This transparent, metallized static shield bag provides a static safe environment for sensitive electronic devices. Four layer construction. Polyester dielectric and metal layer provide Faraday effect shielding of ESD and fields. Tribocharging is minimized by the specially processed polyethylene. Flat and zipper closure styles. Coded for QC traceability.

Standards

Meets the requirements of MIL-PRF-81705 Type III, EIA 541, EIA 625, MIL-HDBK-263, MIL-STD-1686, and EOS/ESD Standards.

Specifications

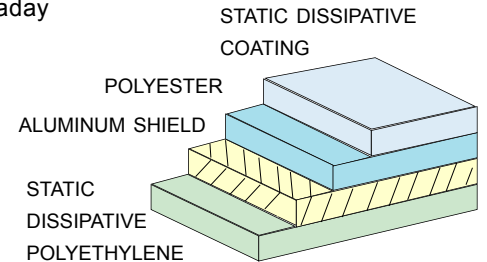
Electrical Properties:		Typical Values	
Surface Resistivity / Resistance		ASTM D257	or ANSI/ESD STM11.11
Interior		<10 ¹² ohms/square	or <10 ¹¹ ohms
Exterior		<10 ¹² ohms/square	or <10 ¹¹ ohms
Metal		100 ohms	
Static Shielding		< 30 volts	MIL-PRF-81705, EIA 541
Static Shielding		< 10 nJ	EOS/ESD S11.31
Static Decay		< 0.05 seconds	MIL-PRF-81705, FTMS 101 MTH 4046
Charge Generation			
Teflon		0.09 nC/sq.in.	Modified Inclined Plane
Quartz		0.01 nC/sq.in.	
Physical Properties:			
Tensile Strength		>25 lbs	ASTM D 882
Seam Strength		Pass	MIL-PRF-81705
Light Transmission		40 %	Tobias
Heat Sealing Conditions			
Temperature		250 F - 375 F	
Time		0.5 - 3.5 seconds	
Pressure		30 - 70 PSI	
Thickness		3.1 mils	SCC 008
Outgassing		Pass	ASTM E595
Non-corrosive		Pass	FTMS 101 MTH 3005



SCC 1000 with Open Top

Material Structure

SCC 1000 open top and ZipTop static shielding bags are manufactured from industry approved Polyester/Metal/Polyethylene laminates. The polyester dielectric in concert with the metal layer provide Faraday Effect shielding of an Electrostatic Discharge (ESD). The metal layer prevents the penetration of damaging electrostatic fields. Tribocharging is minimized by the specially processed polyethylene.



See SCC Data Sheets for these related items:

Static Warning Labels
Heat Sealer

P R O D U C T D A T A S H E E T

SCC 1000 Static Shielding Bag METAL-IN

PRODUCT	ITEM NUMBER	DATASHEET
STATIC SHIELDING BAG, OPEN TOP AND ZIPTOP	100(W")(L")	1100-A



US and Canada: 866-722-3736
 Fax: 866-722-3735
 Intl: 919-774-3808
 Fax: 919-774-1287
 3010 Lee Avenue Sanford, NC 27330
 email: info@staticcontrol.com
 www.StaticControl.com ©

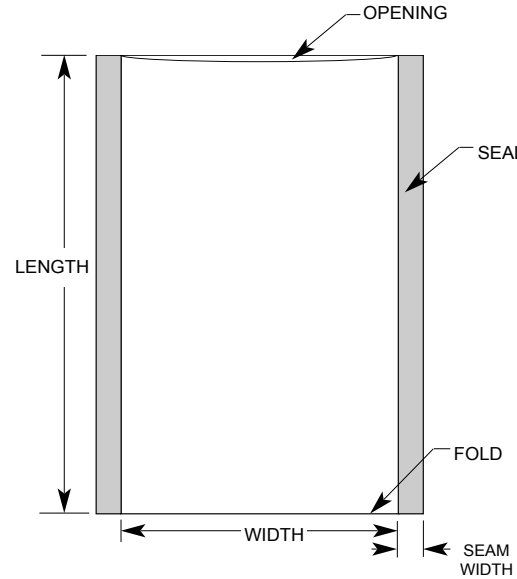
SCC 1000™

Open Top Static Shielding Bag ~ Metal-In

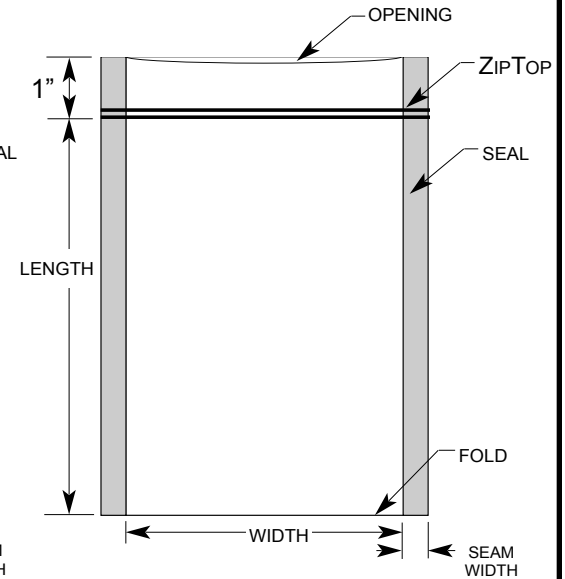
W"x L"	P/N	W"x L"	P/N	W"x L"	P/N
2 x 3	10023	7 x 8	10078	12 x 18	1001218
2 x 4	10024	7 x 10	100710	12 x 24	1001224
2 x 6	10026	7 x 11	100711	12 x 25	1001225
3 x 5	10035	7 x 15	100715	12 x 30	1001230
4 x 4	10044	7 x 16	100716	14 x 16	1001416
4 x 6	10046	8 x 8	10088	14 x 18	1001418
4 x 8	10048	8 x 10	100810	14 x 20	1001420
4 x 24	100424	8 x 12	100812	14 x 30	1001430
4 x 26	100426	8 x 14	100814	15 x 18	1001518
4 x 30	100430	8 x 16	100816	16 x 18	1001618
5 x 6	10056	8 x 18	100818	16 x 20	1001620
5 x 7	10057	8 x 24	100824	16 x 24	1001624
5 x 8	10058	8 x 30	100830	16 x 30	1001630
5 x 10	100510	9 x 12	100912	18 x 18	1001818
6 x 8	10068	10 x 12	1001012	18 x 20	1001820
6 x 9	10069	10 x 14	1001014	18 x 24	1001824
6 x 10	100610	10 x 16	1001016	18 x 30	1001830
6 x 12	100612	10 x 18	1001018	20 x 20	1002020
6 x 14	100614	10 x 24	1001024	20 x 24	1002024
6 x 16	100616	10 x 26	1001026	22 x 24	1002224
6 x 18	100618	10 x 30	1001030	24 x 24	1002424
6 x 24	100624	11 x 14	1001114	24 x 30	1002430
6 x 26	100626	11 x 15	1001115	24 x 36	1002436
6 x 30	100630	12 x 12	1001212	30 x 24	1003024
6.5 x 10	1006.510	12 x 14	1001214		
6.5 x 16	1006.516	12 x 16	1001216		

- All standard sizes in-stock/same day shipment.
- Width is measured from inside seam to inside seam.
- Length is measured from the top edge to the bottom fold.
- Opening is in the "width" dimension.
- Custom bag sizes, custom printing, and custom hot stamping are available.
- Most sizes are packed 100 per case.
Small sizes are packed 1000 or 500 per case.

SCC 1000 Open Top



SCC 1000 ZipTop



SCC 1000 ZipTop™

Recloseable Static Shielding Bag ~ Metal-In

W"x L"	P/N	W" x L"	P/N	W" x L"	P/N
2 x 3	30023	6 x 24	300624	11 x 15	3001115
3 x 3	30033	6 x 30	300630	12 x 12	3001212
3 x 5	30035	7 x 15	300715	12 x 16	3001216
4 x 4	30044	8 x 8	30088	12 x 18	3001218
4 x 6	30046	8 x 10	300810	14 x 18	3001418
4 x 8	30048	8 x 12	300812	15 x 18	3001518
4 x 24	300424	9 x 12	300912	16 x 24	3001624
4 x 30	300430	10 x 10	3001010	18 x 18	3001818
5 x 8	30058	10 x 12	3001012	18 x 24	3001824
5 x 10	300510	10 x 14	3001014	20 x 24	3002024
6 x 8	30068	10 x 24	3001024	24 x 24	3002424
6 x 10	300610	10 x 30	3001030		

P R O D U C T D A T A S H E E T

SCC 1000 Static Shielding Bag METAL-IN

PRODUCT
STATIC SHIELDING BAG, OPEN TOP AND ZIPTOP

ITEM NUMBER
100(W")(L")

DATASHEET
1100-A



US and Canada: 866-722-3736
 Fax: 866-722-3735
 Intl: 919-774-3808
 Fax: 919-774-1287
 3010 Lee Avenue Sanford, NC 27330
 email: info@staticcontrol.com
 www.StaticControl.com ©